

18+1 Channel Voltage Buffers for TFT LCD

Introduction

General Description

The EC5579 is a 18+1 channel voltage buffers that buffers reference voltage for gamma correction in a thin film transistor liquid crystal display (TFT LCD). This device incorporating a Vcom amplifier circuits, four rail to rail buffer amplifier circuits (the highest two stage and lowest two stage) and 14 buffer amplifiers circuits.

The EC5579 is available in a space saving 48-pin TQFP package, and the operating temperature is from -20°C to +85°C.

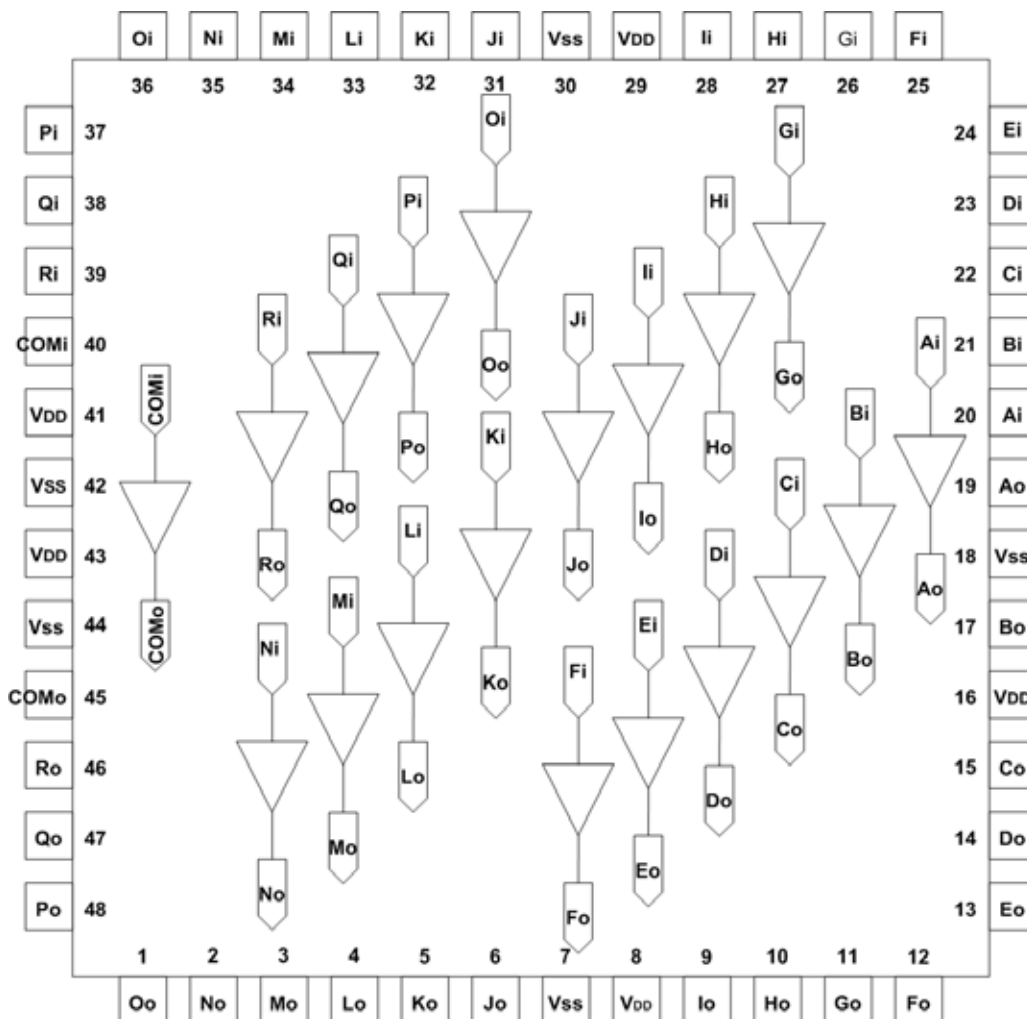
Features

- Wide supply voltage range 6.5V ~ 18V
- Rail-to-rail output swing (The highest two stage & lowest two stage)
- High slew rate 1V/μ s
- GBWP 1 MHz
- 2 MHz -3dB Bandwidth
- Large Vcom Drive Current: ±100mA(Max)
- Ultra-small Package TQFP-48

Applications

- TFT-LCD Reference Driver

Pin Configuration



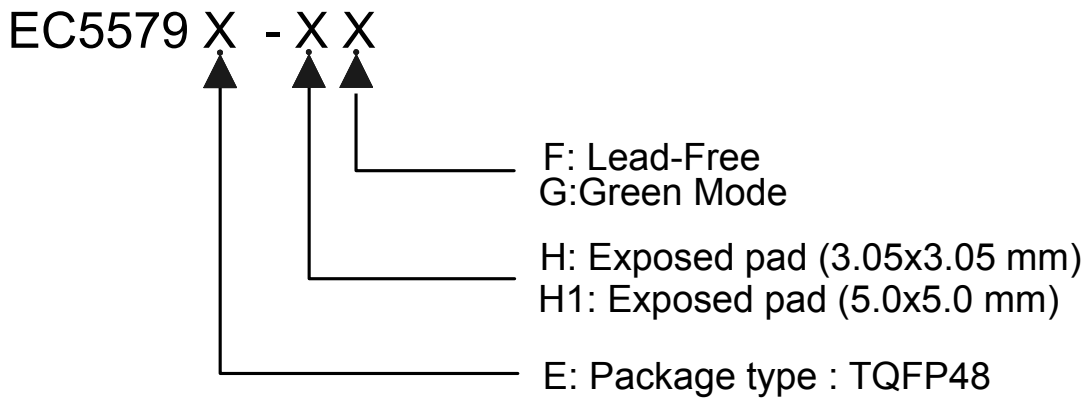
A,B,Q,R: Rail to Rail OPAMPs

18+1 Channel Voltage Buffers for TFT LCD

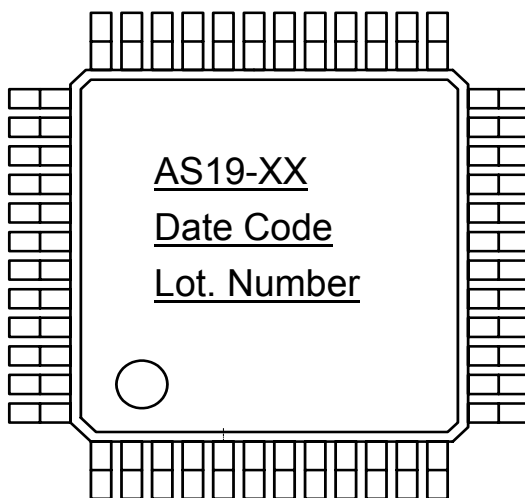
Ordering/Marking Information

Package	Part Number	Marking	Marking Information
TQFP 48	EC5579-F	AS19-F	Lead free
	EC5579-G	AS19-G	Green Mode
	EC5579-HF	AS19-HF	Lead free with exposed pad (3.05x3.05 mm)
	EC5579-HG	AS19-HG	Green Mode with exposed pad (3.05x3.05 mm)
	EC5579E-H1F	AS19-H1F	Lead free with exposed pad (5.0x5.0 mm)
	EC5579E-H1G	AS19-H1G	Green Mode with exposed pad (5.0x5.0 mm)

Ordering Information



Package Marking Indication



18+1 Channel Voltage Buffers for TFT LCD

Absolute Maximum Ratings (TA=25°C)

Values beyond absolute maximum ratings may cause permanent damage to the device. These are stress ratings only; functional device operation is not implied. Exposure to AMR conditions for extended periods may affect device reliability.

Parameter	Symbol	Value	Unit
Supply Voltage between V_{S+} and V_{S-}	V_S	+18	V
Input Voltage (For rail to rail)	—	$V_{S-} - 0.5$	V
	—	$V_{S+} + 0.5$	V
Maximum Output Current (A ~ R Buffers)	I_{out}	±30	mA
Maximum Output Current (Com Buffer)	$I_{out}(com)$	±100	mA
Maximum junction Temperature	T_J	+150	°C
Storage Temperature Range	T_{STG}	-65 to +150	°C
Operating Temperature Range	T_{OP}	-20 to +85	°C
Lead temperature	T_{lead}	260	°C
ESD Voltage	—	2	KV

Important Note:

All parameters having Min/Max specifications are guaranteed. Typical values are for information purposes only. Unless otherwise noted, all tests are at the specified temperature and are pulsed tests, therefore: $T_J = T_C = T_A$

18+1 Channel Voltage Buffers for TFT LCD

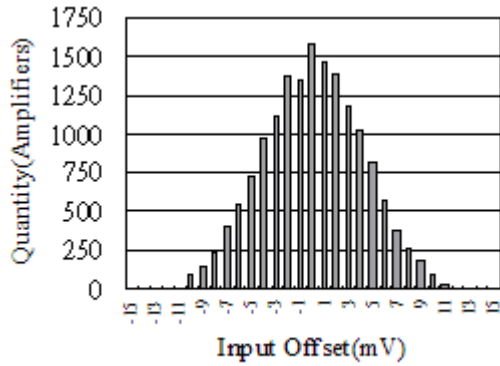
Electrical Characteristics

$V_{S+} = +5V$, $V_{S-} = -5V$, $R_L = 10k\Omega$ and $C_L = 10pF$ to $0V$, $T_A = 25^\circ C$ unless otherwise specified.

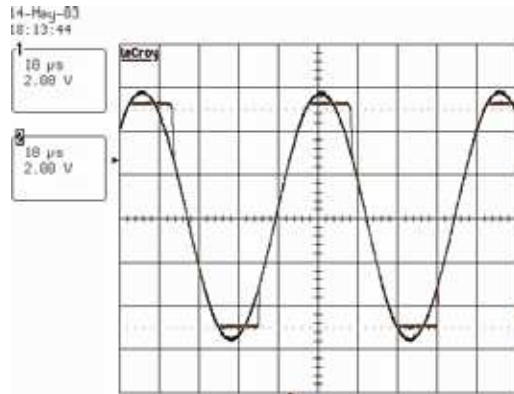
Parameter	Description	Condition	Min	Typ	Max	Units
Input Characteristics						
V_{OS}	Input Offset Voltage	$V_{CM} = 0V$	—	2	12	mV
TCV_{OS}	Average Offset Voltage Drift	[1]	—	5	—	$\mu V/^\circ C$
I_B	Input Bias Current	$V_{CM} = 0V$	—	2	50	nA
R_{IN}	Input Impedance	—	—	1	—	G
C_{IN}	Input Capacitance	—	—	1.35	—	pF
Output Characteristics						
V_{OL}	Output Swing Low	$I_L = -5mA$ (A, B, Q, R rail-to-rail Buffers)	—	-4.92	-4.85	V
V_{OH}	Output Swing High	$I_L = 5mA$ (A, B, Q, R rail-to-rail Buffers)	4.85	4.92	—	V
V_{OL}	Output Swing Low	$I_L = -5mA$ (C ~ P Buffers)	-3.5	—	—	V
V_{OH}	Output Swing High	$I_L = 5mA$ (C ~ P Buffers)	3.5	—	—	V
I_{SC}	Short Circuit Current	(A ~ R Buffers)	—	± 120	—	mA
I_{OUT}	Output Current	(A ~ R Buffers)	—	± 30	—	mA
$I_{SC(Com)}$	Short Circuit Current	(Com Buffer)	—	± 300	—	mA
$I_{OUT(Com)}$	Output Current	(Com Buffer)	—	± 100	—	mA
Power Supply Performance						
PSRR	Power Supply Rejection Ratio	V_S is moved from $\pm 3.25V$ to $\pm 7.75V$	60	80	—	dB
I_S	Supply Current (Per Amplifier)	No Load (A ~ R Buffers)	—	500	750	μA
$I_{S(Com)}$	Supply Current	(Com Buffer)	—	8	—	mA
Dynamic Performance						
SR	Slew Rate [2]	$-4.0V \leq V_{OUT} \leq 4.0V$, 20% to 80%	—	1	—	$V/\mu s$
t_S	Settling to +0.1% ($AV = +1$)	($AV = +1$), $V_O = 2V$ Step	—	5	—	μs
BW	-3dB Bandwidth	$R_L = 10k\Omega$, $C_L = 10PF$	—	2	—	MHz
PM	Phase Margin	$R_L = 10k\Omega$, $C_L = 10PF$	—	60	—	Degrees
CS	Channel Separation	$f = 1 MHz$	—	75	—	dB
1. Measured over operating temperature range 2. Slew rate is measured on rising and falling edges						

18+1 Channel Voltage Buffers for TFT LCD

Typical Performance Characteristics



VCC = 10V, F: 10K



VCC = 10V, F: 10K

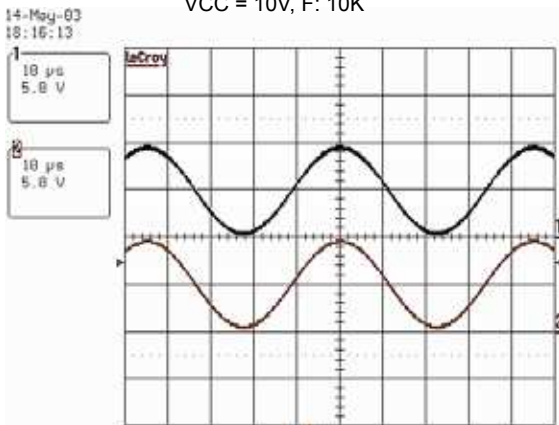


Figure3. Rail to Rail Capability

VCC = 10V, F: 1K

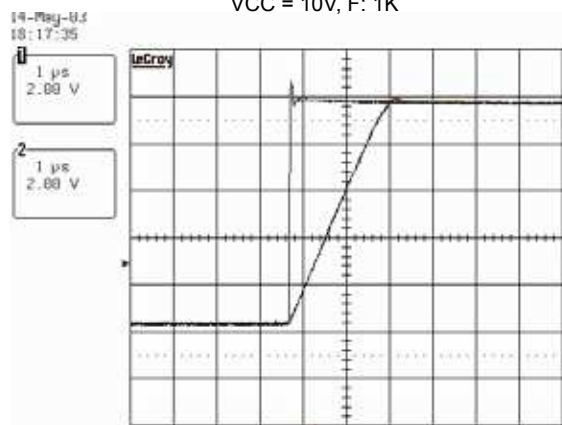


Figure4. Large Signal Transient Response

VCC = 10V, F: 1K

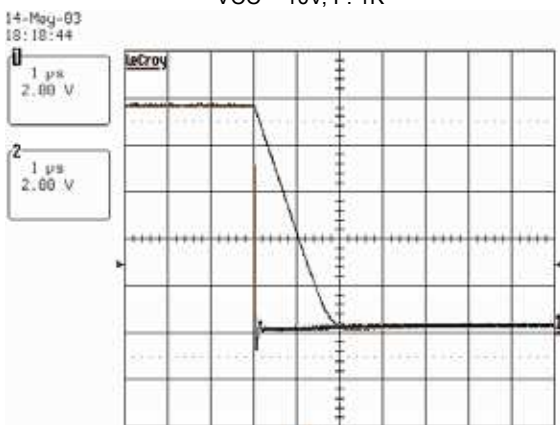


Figure5. Large Signal Transient Response

VCC = 10V, F: 1K

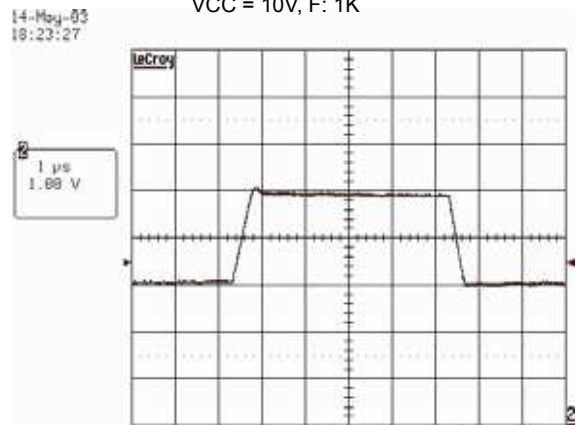


Figure6. Small Signal Transient Response

18+1 Channel Voltage Buffers for TFT LCD

Typical Performance Characteristics (Continued)

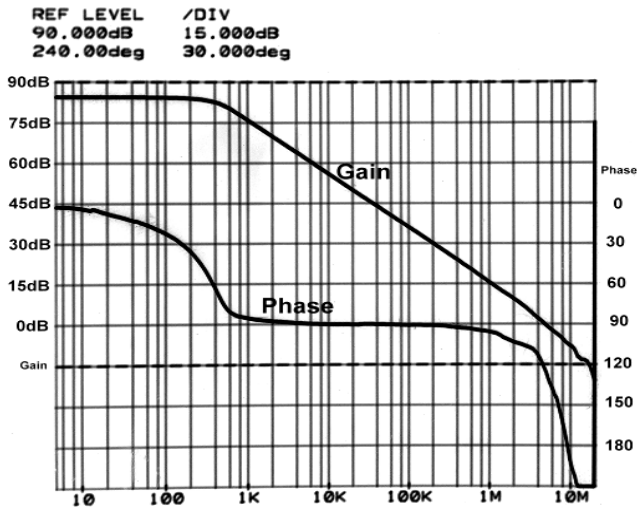


Figure7. Open Loop Gain & Phase vs. Frequency

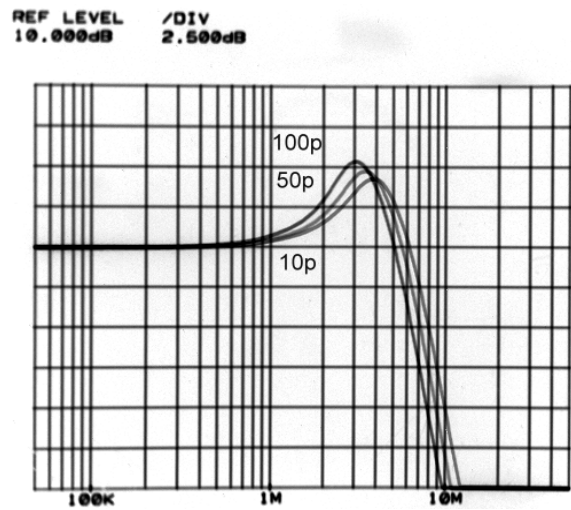


Figure8. Frequency Response for Various CL

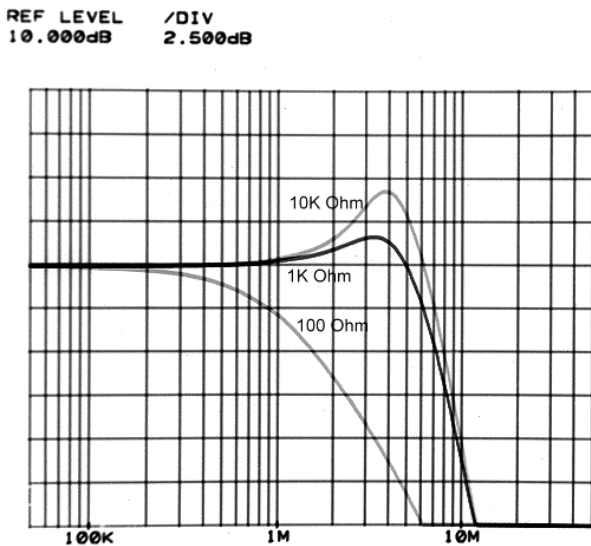


Figure9. Frequency Response for Various RL

18+1 Channel Voltage Buffers for TFT LCD

Applications Information

Product Description

The EC5579 rail-to-rail quad channels amplifier is built on an advanced high voltage CMOS process. Its beyond rails input capability and full swing of output range made itself an ideal amplifier for use in a wide range of general-purpose applications. The features of 1 μ S high slew rate, fast settling time, 2MHz of GBWP as well as high output driving capability have proven the EC5579 a good voltage reference buffer in TFT-LCD for grayscale reference applications. High phase margin and extremely low power consumption (500 μ A per amplifier) make the EC5579 ideal for Connected in voltage follower mode for low power high drive applications

Supply Voltage, Input Range and Output Swing

The EC5579 can be operated with a single nominal wide supply voltage ranging from 6.5V to 18V with stable performance over operating temperatures of -20 °C to +85 °C.

With 500mV greater than rail-to-rail input common mode voltage range and 75dB of Common Mode Rejection Ratio, the EC5579 allows a wide range sensing among many applications without having any concerns over exceeding the range and no compromise in accuracy. The output swings of the EC5579 typically extend to within 80mV of positive and negative supply rails with load currents of 5mA. The output voltage swing can be even closer to the supply rails by merely decreasing the load current. Figure 1 shows the input and output waveforms for the device in the unity-gain configuration. The amplifier is operated under \pm 5V supply with a 10k Ω load connected to GND. The input is a 10Vp-p sinusoid. An approximately 9.985 Vp-p of output voltage swing can be easily achieved.

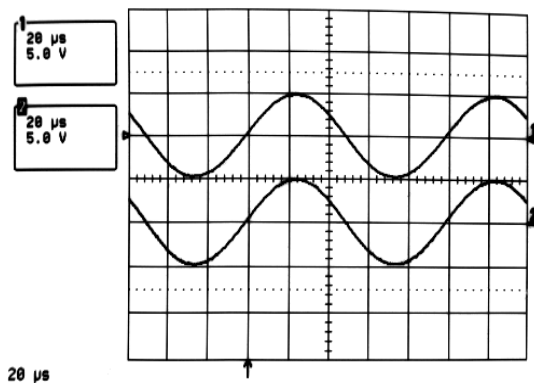


Figure10. Operation with Rail-to-Rail Input and Output

Output Short Circuit Current Limit

A \pm 120mA short circuit current will be limited by the EC5579 if the output is directly shorted to the positive or the negative supply. For an indefinitely output short circuit, the power dissipation could easily increase such that the device may be damaged. The internal metal interconnections are well designed to prevent the output continuous current from exceeding \pm 30 mA such that the maximum reliability can be well maintained.

18+1 Channel Voltage Buffers for TFT LCD

Output Phase Reversal

The EC5579 is designed to prevent its output from being phase reversal as long as the input voltage is limited from $V_{S-} - 0.5V$ to $V_{S+} + 0.5V$. Figure 2 shows a photo of the device output with its input voltage driven beyond the supply rails. Although the phase of the device's output will not be reversed, the input's over-voltage should be avoided. An improper input voltage exceeds supply range by more than 0.6V may result in an over stress damage.

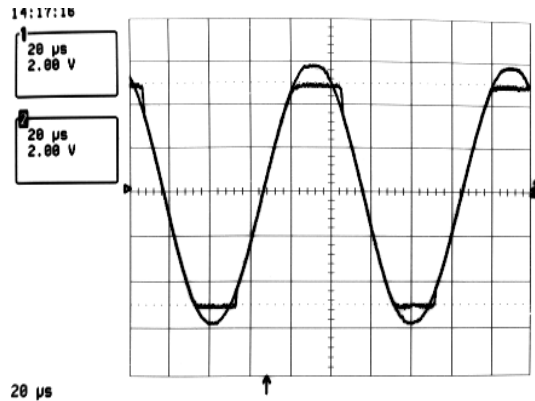


Figure11. Operation with Beyond-the Rails Input

Power Dissipation

The EC5579 is designed for maximum output current capability. Even though momentary output shorted to ground causes little damage to the device.

For the high drive amplifier EC5579, it is possible to exceed the 'absolute-maximum junction temperature' under certain load current conditions. Therefore, it is important to calculate the maximum junction temperature for the application to determine if load conditions need to be modified for the amplifier to remain in the safe operating area. The maximum power dissipation allowed in a package is determined according to:

$$P_{Dmax} = \frac{T_{Jmax} - T_{Amax}}{\Theta_{JA}}$$

Where:

T_{Jmax} = Maximum Junction Temperature

T_{Amax} = Maximum Ambient Temperature

Θ_{JA} = Thermal Resistance of the Package

P_{Dmax} = Maximum Power Dissipation in the Package.

The maximum power dissipation actually produced by an IC is the total quiescent supply current times the total power supply voltage, plus the power in the IC due to the loads, or:

$$P_{Dmax} = \sum_i [V_S * I_{Smax} + (V_{S+} - V_O) * I_L]$$

When sourcing, and

$$P_{Dmax} = \sum_i [V_S * I_{Smax} + (V_O - V_{S-}) * I_L]$$

When sinking.

18+1 Channel Voltage Buffers for TFT LCD

Where:

$i = 1$ to 4

V_S = Total Supply Voltage

I_{Smax} = Maximum Supply Current Per Amplifier

V_O = Maximum Output Voltage of the Application

I_L = Load current

R_L = Load Resistance = $(V_{S+} - V_O)/I_L = (V_O - V_{S-})/I_L$

A calculation for R_L to prevent device from overheat can be easily solved by setting the two P_{Dmax} equations equal to each other.

Pin Count	Θ_{ja} (°C/W)	Θ_{jc} (°C/W)	
TQFP-48	35	7	Exposed pad (5.0x5.0 mm)
TQFP-48	42	19.6	Exposed pad (3.05x3.05 mm)
TQFP-48	67	31	Normal

Driving Capacitive Loads

The EC5579 is designed to drive a wide range of capacitive loads. In addition, the output current handling capability of the device allows for good slewing characteristics even with large capacitive loads. The combination of these features make the EC5579 ideally for applications such as TFT LCD panel grayscale reference voltage buffers, ADC input amplifiers, etc.

As load capacitance increases, however, the -3dB bandwidth of the device will decrease and the peaking increase. The amplifiers drive 10pF loads in parallel with 10K Ω with just 1.5dB of peaking, and 100pF with 6.4dB of peaking. If less peaking is desired in these applications, a small series resistor (usually between 5 Ω and 50 Ω) can be placed in

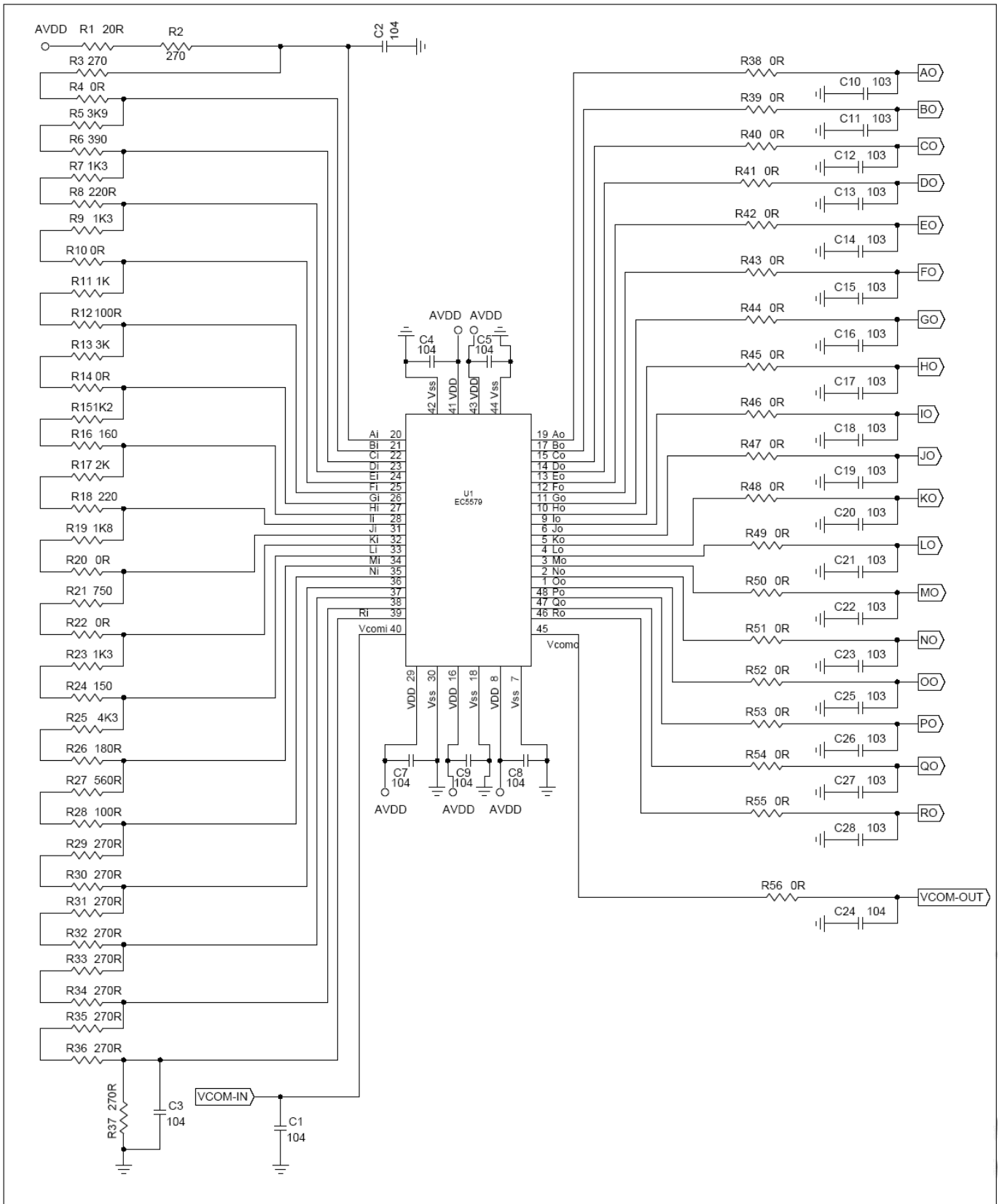
series with the output. However, this will obviously reduce the gain slightly. Another method of reducing peaking is to add a "snubber" circuit at the output. A snubber is a shunt load consisting of a resistor in series with a capacitor. Values of 150 Ω and 10nF are typical. The advantage of a snubber is that it improves the settling and overshooting performance while does not draw any DC load current or reduce the gain.

Power Supply Bypassing and Printed Circuit Board Layout

With high phase margin, the EC5579 performs stable gain at high frequency. Like any high-frequency device, good layout of the printed circuit board usually comes with optimum performance. Ground plane construction is highly recommended, lead lengths should be as short as possible and the power supply pins must be well bypassed to reduce the risk of oscillation. For normal single supply operation, where the V_{S-} pin is connected to ground, a 0.1 μ F ceramic capacitor should be placed from V_{S+} pin to V_{S-} pin as a bypassing capacitor. A 4.7 μ F tantalum capacitor should then be connected in parallel, placed in the region of the amplifier. One 4.7 μ F capacitor may be used for multiple devices. This same capacitor combination should be placed at each supply pin to ground if split supplies are to be used.

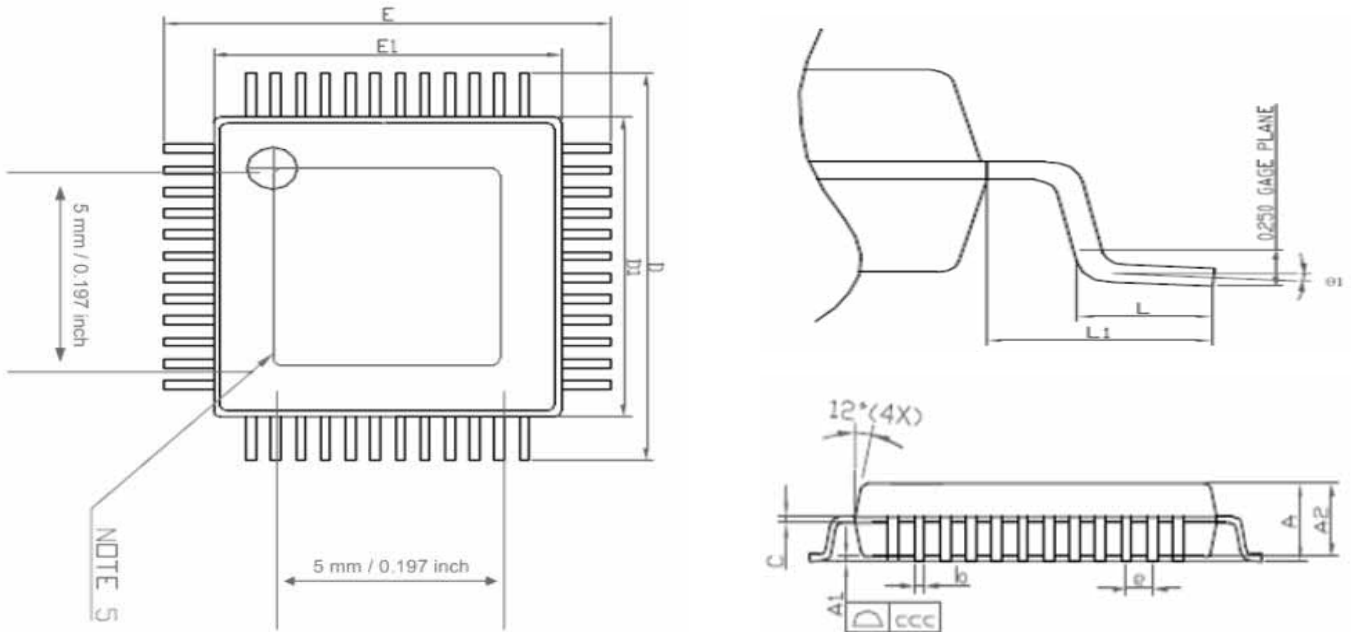
18+1 Channel Voltage Buffers for TFT LCD

Application Circuits



18+1 Channel Voltage Buffers for TFT LCD

OUTLINE DIMENSIONS (Dimensions shown in millimeters)

H1: Exposed pad (5.0x5.0 mm)


DIMN	Millimeters			INCHES		
	MIN	NOM	MAX	MIN	NOM	MAX
A	—	—	1.15	—	—	0.046
A1	0.05	—	0.15	0.002	—	0.006
A2	0.95	1.00	1.05	0.037	0.039	0.041
b	0.17	0.22	0.27	0.006	0.008	0.011
C	0.09	—	0.20	0.003	—	0.008
D1	6.90	7.00	7.10	0.271	0.275	0.279
D	8.80	9.00	9.20	0.346	0.354	0.362
E1	6.90	7.00	7.10	0.271	0.275	0.279
E	8.80	9.00	9.20	0.346	0.354	0.362
e	—	0.5(TYP)	—	—	0.02(TYP)	—
L	0.45	0.6	0.75	0.018	0.024	0.029
L1	—	1.00(REF)	—	—	0.039(REF)	—
Q1	0°	3.5°	7°	0°	3.5°	7°
ccc	—	—	0.08	—	—	0.003

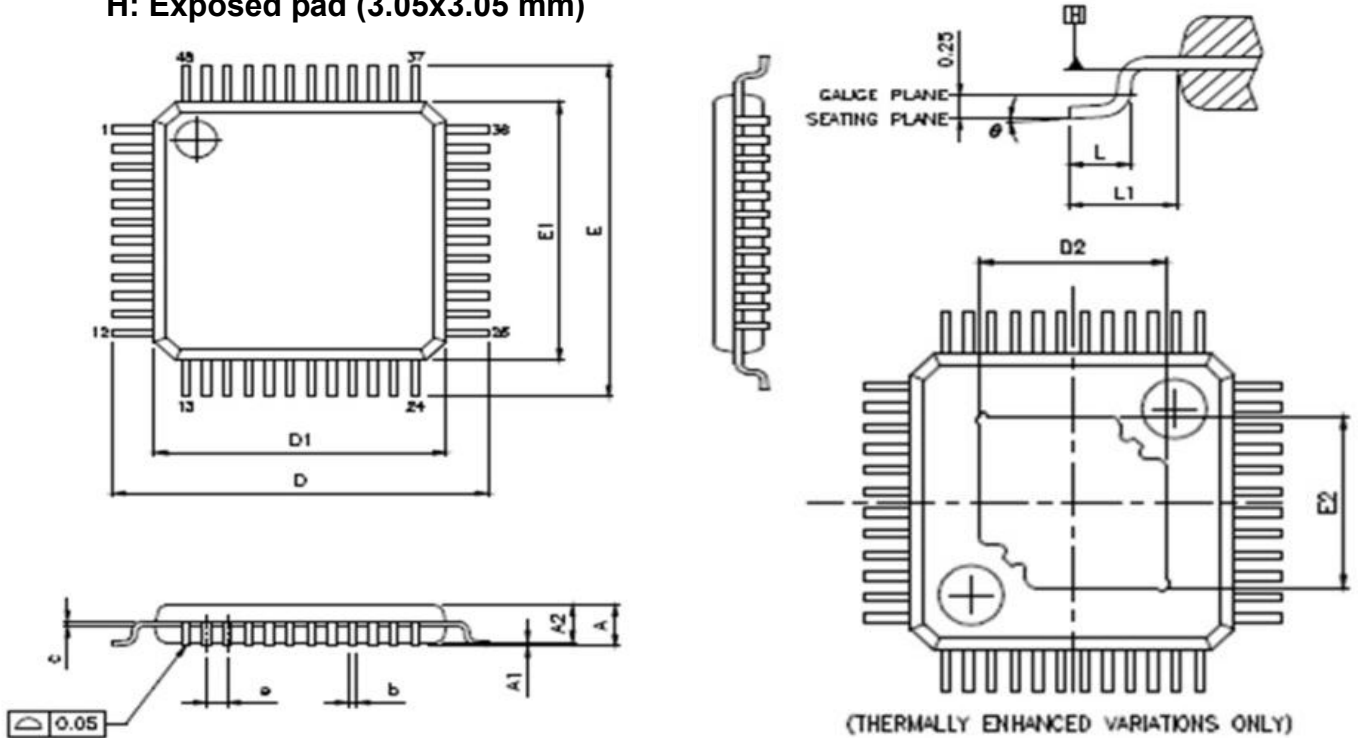
NOTE

1. PACKAGE BODY SIZES EXCLUDE MOLE FLASH AND GATE BURRS.
2. DIMENSION L IS MEASURED IN GAGE PLANE.
3. TOLERANCE 0.10mm UNLESS OTHERWISE SPECIFIED.
4. CONTROLLING DIMENSION IS MILLIMETER CONVERTED INCH DIMENSIONS ARE NOT NECESSARILY EXACT.
5. DIE PAD EXPOSURE SIZE IS ACCORDING TO LEAD FRAME DESIGN.
6. FOLLOWED FORM JEDEC MO-136.

18+1 Channel Voltage Buffers for TFT LCD

OUTLINE DIMENSIONS (Dimensions shown in millimeters)

H: Exposed pad (3.05x3.05 mm)



THERMALLY ENHANCED DIMENSIONS (SHOW IN WW)

PAD SIZE	E2		D2	
	MIN.	MAX.	MIN.	MAX.
160X16E	3.05	4.06	3.05	4.06

DIMN	MM		
	MIN	NOM	MAX
A	—	—	1.20
A1	0.05	—	0.15
A2	0.95	1.00	1.05
b	0.17	0.20	0.23
c	0.09	—	0.16
D	9.00 BSC		
D1	7.00 BSC		
E	9.00 BSC		
E1	7.00 BSC		
e	0.50 BSC		
L	0.45	0.60	0.75
L1	1.00(REF)		
Q	0°	3.5°	7°

NOTE

- JEDEC OUTLINE:
NS-026 ABC
NS-026 ABC-HD (THERMALLY ENHANCED VARIATIONS ONLY)
- DATUM PLANE \square IS LOCATED AT THE BOTTOM OF THE MOLE PATTING LINE COINCIDENT WITH WHERE THE LEAD EXITS THE BODY.
- DIMENSIONS D1 AND E1 DO NOT INCLUDE MOLD PROTRUSION. ALLOWABLE PROTRUSION IS 0.25mm PER SIDE. DIMENSIONS D1 AND E1 DO INCLUDE MOLD MISWATCH AND ARE DETERMINED AT DATUM PLANE \square
- DIMENSION b DOES NOT INCLUDE DANBAR PROTRUSION.