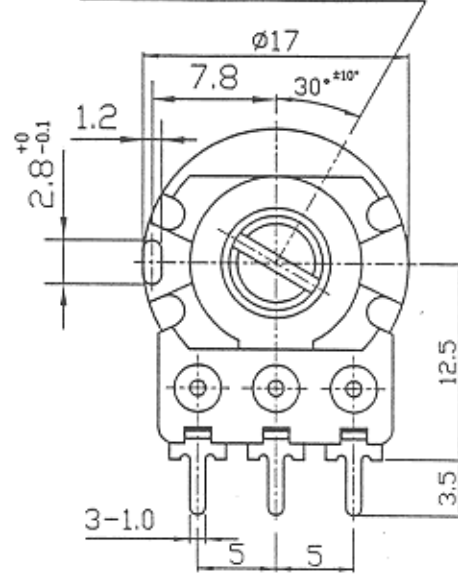
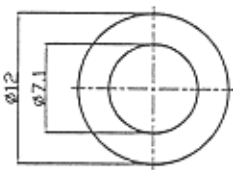
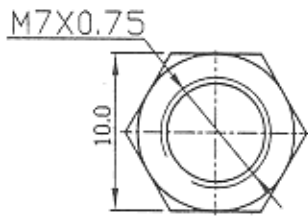


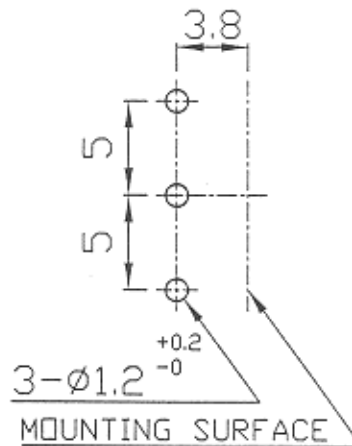
SHAFT SHAFT IN FULL C.C.W. POSITION



MOUNTING HOLE DETAIL (VIEWPOINT OF SHAFT)



WASHER 1 PC t=0.6



	L	T
	15	6.5
	17	8.5
	20	11.5
	25	16.5

						RV16AF-20-(L)K-XXX-3	
NO.	DATE	DESCRIPTION		MODEL NAME			
TOL UNLESS OTHERWISE STATED	DIMENSION	SCALE	DRAWN BY	CHECKED BY	APPROVED BY	DRAWING NO.	
less than 10 ±0.3	mm	2	何 93.12.20 建志	王 93.12.20 茂松	吴 93.12.20 碧峰		
above 10 ~ 30 ±0.5							
above 30 ~ 100 ±1.0		1					
above ±5°							