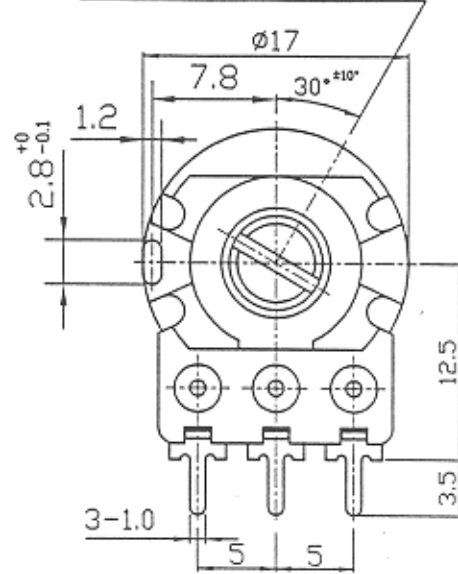
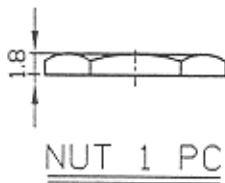
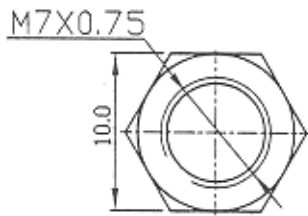


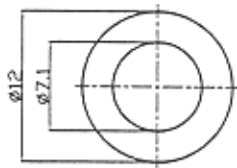
SHAFT SHAFT IN FULL C.C.W. POSITION



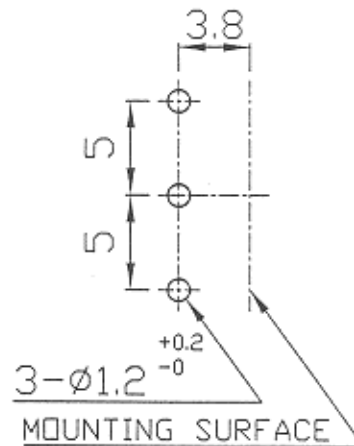
MOUNTING HOLE DETAIL (VIEWPOINT OF SHAFT)



NUT 1 PC



WASHER 1 PC t=0.6



MOUNTING SURFACE

| | L | T |
|--|----|------|
| | 15 | 6.5 |
| | 17 | 8.5 |
| | 20 | 11.5 |
| | 25 | 16.5 |

RV16AF-20-(L)K-XXX-3

| NO. | DATE | DESCRIPTION | MODEL NAME | | | |
|-----------------------------|-----------|-------------|---------------------|---------------------|---------------------|-------------|
| TOL UNLESS OTHERWISE STATED | DIMENSION | SCALE | DRAWN BY | CHECKED BY | APPROVED BY | DRAWING NO. |
| less than 10 ±0.3 | mm | 2 | 何 93.12.20 建志 | 王 93.12.20 茂松 | 吴 93.12.20 碧峰 | |
| above 10 ~ 30 ±0.5 | | | | | | |
| above 30 ~ 100 ±1.0 | | 1 | | | | |
| above ±5° | | | | | | |