

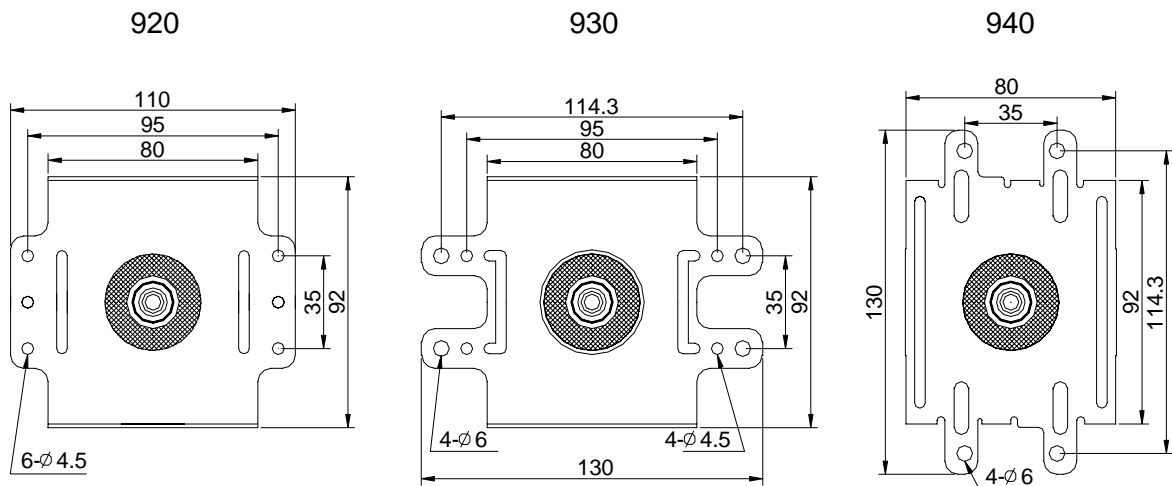
2M219 Series

1. Specifications

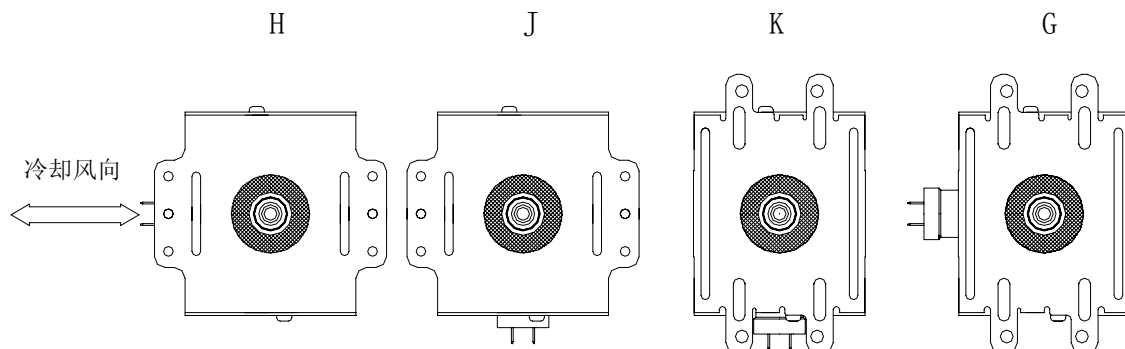
| | |
|---------------------|---------------------|
| Voltage (ebm) | 4.2kV |
| Current (Ib) | 300mA _{dc} |
| Maximum Output (Po) | 945W |
| Frequency (fo) | 2458MHz |
| Filament (Ef) | 3.3V |
| Weight | 810g |
| Applicable for MWO | 700~900W |



2. Instruction of installing board

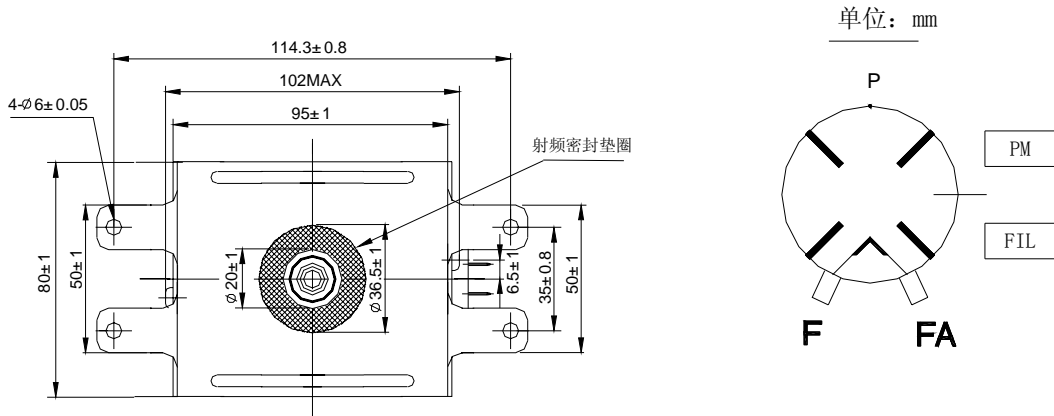


3. Installation Instruction

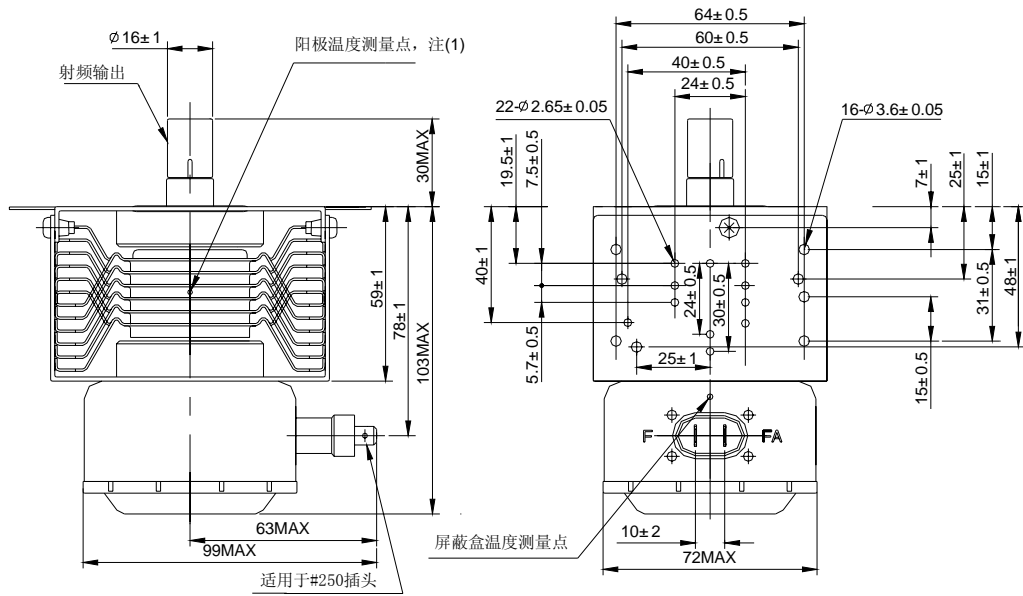


2M219 Series

2M219K Outline



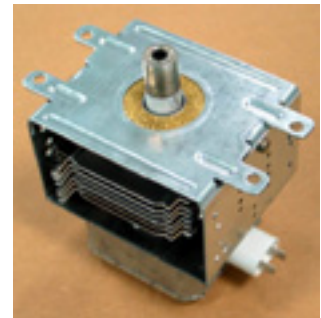
注(1) 测试的温度为冷却风出口侧温度



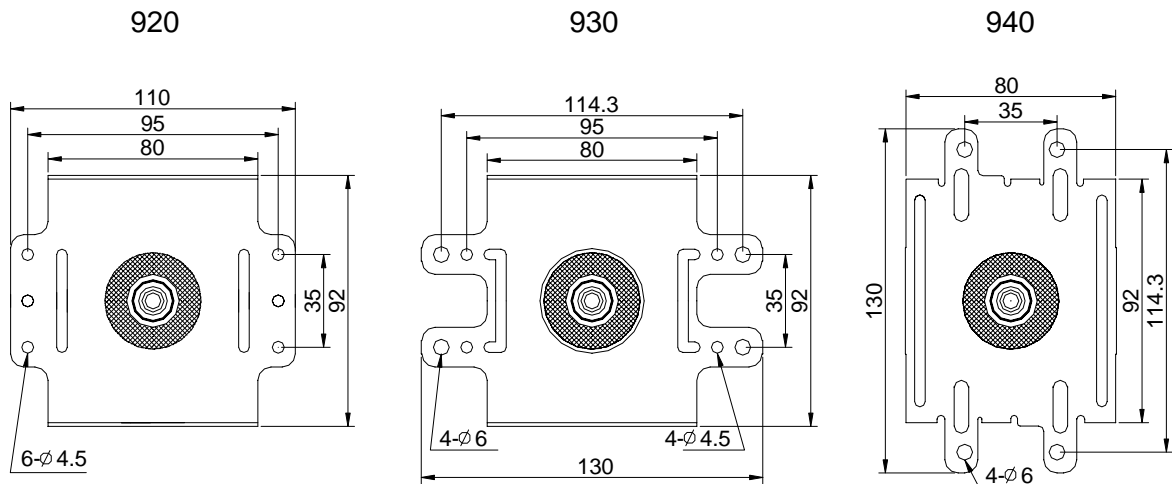
2M319 Series

1. Specifications:

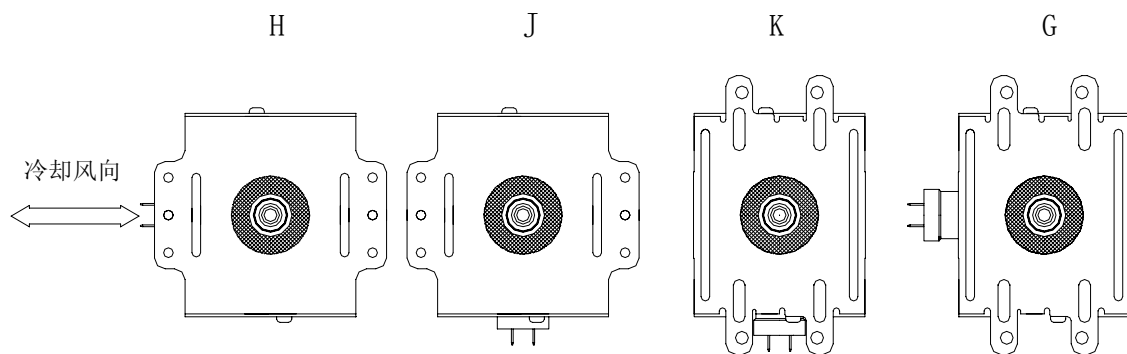
| | |
|---------------------|---------------------|
| Voltage (ebm) | 4.4kV |
| Current (Ib) | 320mA _{dc} |
| Maximum Output (Po) | 1050W |
| Frequency (fo) | 2458MHz |
| Filament (Ef) | 3.3V |
| Weight | 810g |
| Applicable for MWO | 900~1100W |



2. Instruction of installing board

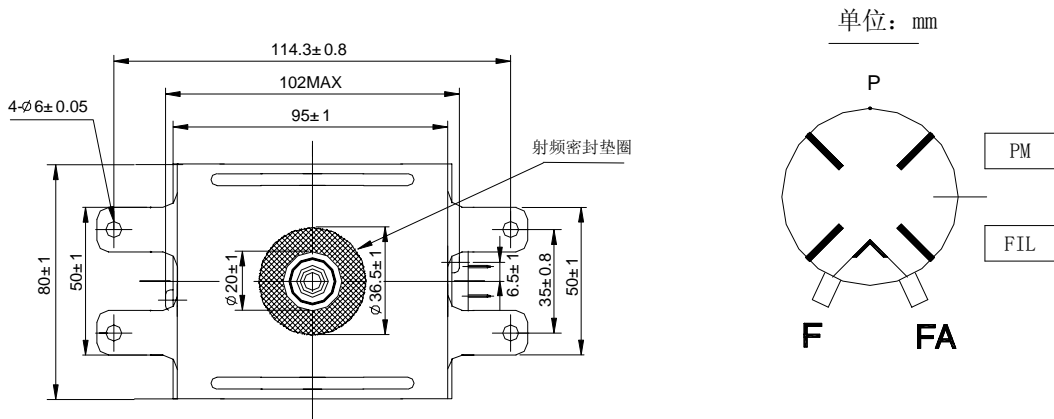


3. Instruction of installation



2M319 Series

2M319K Outline



注(1) 测试的温度为冷却风出口侧温度

