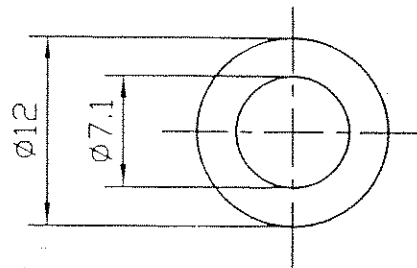
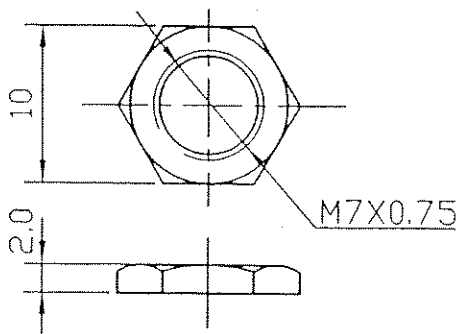


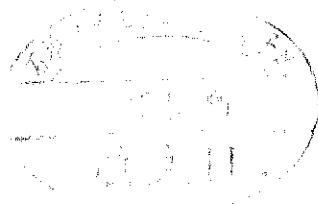
NUT 1 PC

WASHER 1 PC t=0.4



NOTE:

BUSHING MATERIAL IS ZINC ALLOY DIECASTING.



RV16AF-10B6-(L)K-XXX-(0C)

| NO.                          |  | DATE      |  | DESCRIPTION |  | MODEL NAME                |  |            |             |             |
|------------------------------|--|-----------|--|-------------|--|---------------------------|--|------------|-------------|-------------|
|                              |  |           |  |             |  | RV16AF-10B6-(L)K-XXX-(0C) |  |            |             |             |
| TOL. UNLESS OTHERWISE STATED |  | DIMENSION |  | SCALE       |  | DRAWN BY                  |  | CHECKED BY | APPROVED BY | DRAWING NO. |
| less than 10                 |  | ±0.3      |  | 2           |  |                           |  |            |             |             |
| above 10 ~ 30                |  | ±0.5      |  | 1           |  |                           |  |            |             |             |
| above 30 ~ 100               |  | ±1.0      |  | mm          |  |                           |  |            |             |             |
| above                        |  | ±5'       |  |             |  |                           |  |            |             |             |